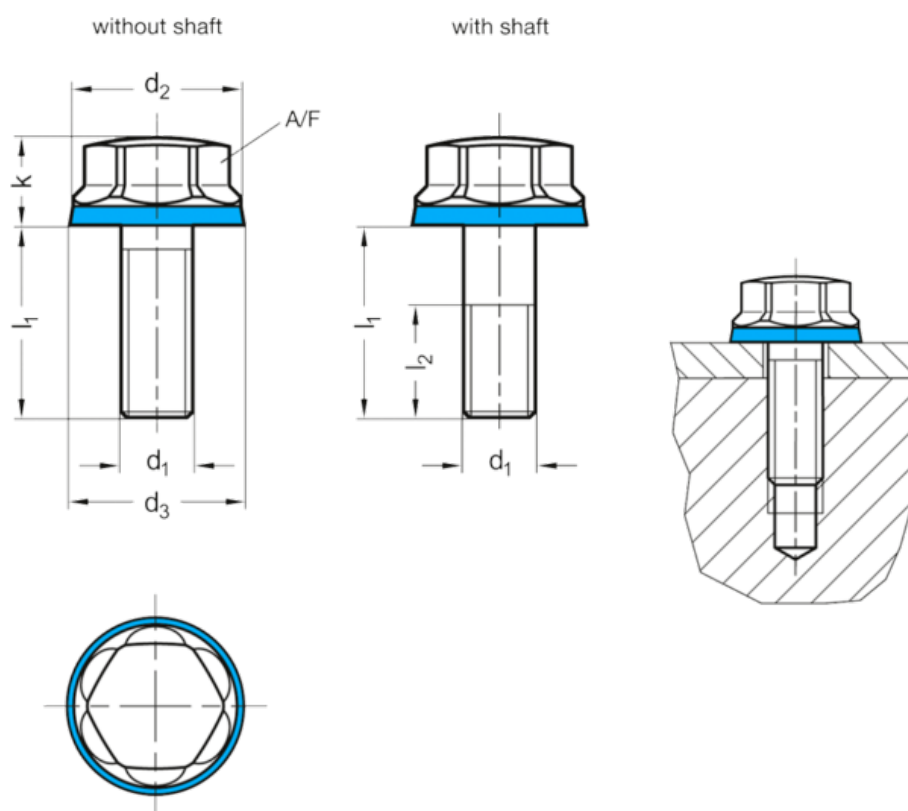


Article number: 201581M1250MTE

Description: E+G Screw GN 1581-M12-50-MT-E
EPDM Sealing ring in hygienic design

Measures



A/F	= 18	Weight in (g) = 68
d1	= M12	
d2	= 22	
d3	= 22.8	
l1 without shaft	= -	
l1 with shaft	= 50	
l2	= 30	
k	= 11	